

REV.	Description	Date
1	removed TUV recognized	2023/3/20

Specification of connector

General Characteristics

Locking system : screw M8  
Shell protection : IP66

Electrical Characteristics

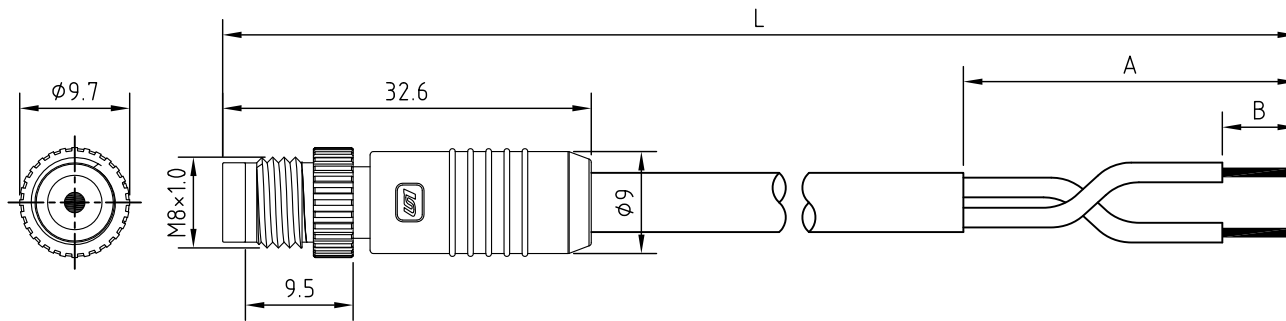
Rated voltage : 600V  
Rated current : 8A  
Contact resistance :  $\leq 10\text{m}\Omega$   
Insulation resistance :  $\geq 10\text{M}\Omega$

Materials

Pin contact : brass  
Contact plating : nickel  
Male insert : PA  
Ring nut : PA

Specification of cable

Material Jacket	PVC	PUR
-----------------	-----	-----



RoHS



Unicable Co., Ltd. 國陽電業有限公司

5F., No. 111-33, Sec. 4, San Ho Road., San Chung Dist., New Taipei City, Taiwan  
http://www.unicable.com.tw Tel:+886-2-2286-2122 Fax:+886-2-2286-1010

ITEM	Sensor Connector M8	PART NO.	3011A-A06M1301P-01/UT-3970		
		DATE	2023/3/20	UNIT	MM
		DWN	GINA	REV.	1
		CHK			